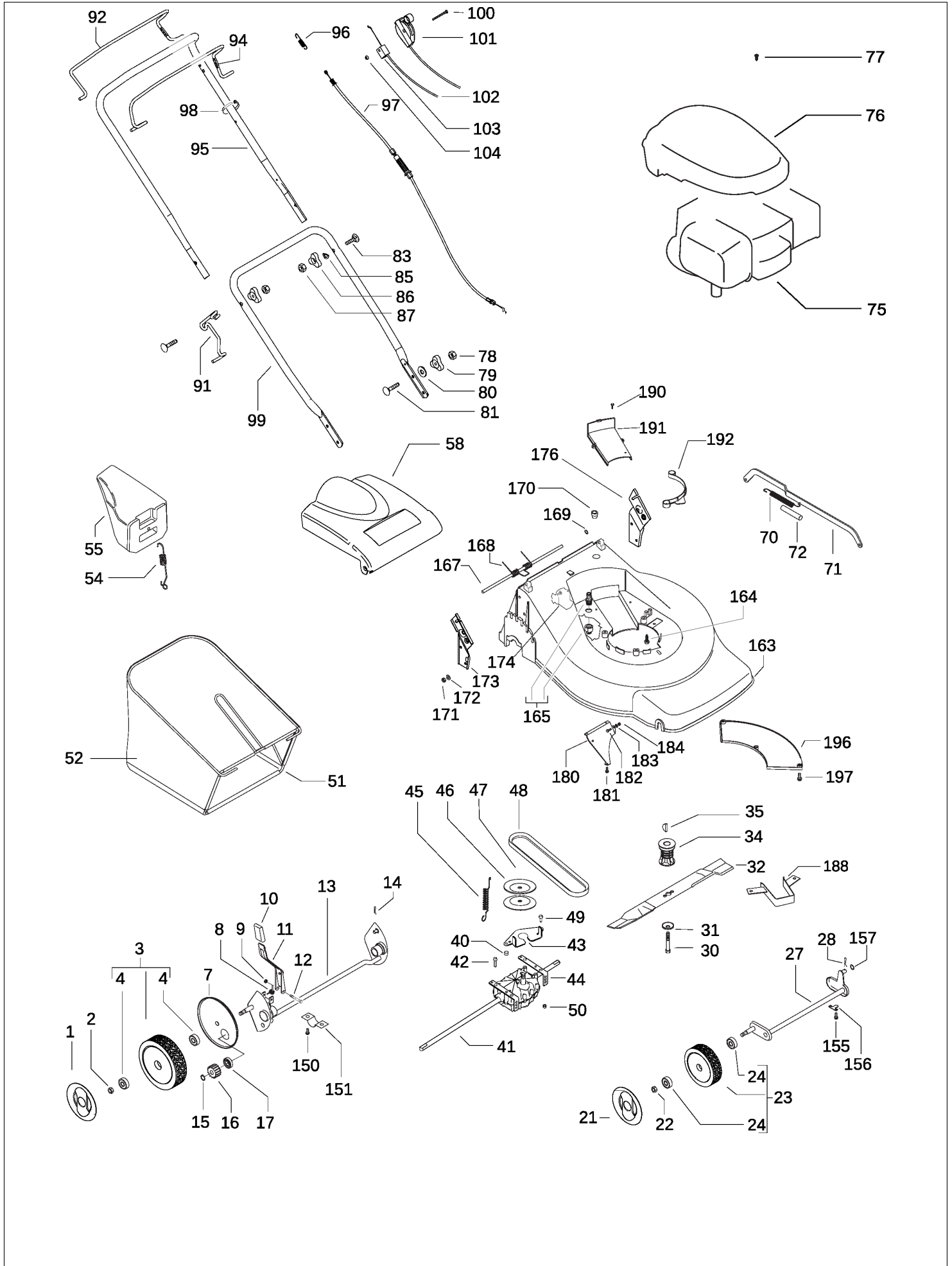


PNC	ML	Model	Brand
966686801	00	BM53-675CMD ALU	

Number of Pages 1 of 3

Factory:	IIQ - Valmadrera	Product Group:	OP 93
Publication Number:	EIPL2010_V47000001	Petrol Portable	
Publication Date:	25/11/10	Sub Group	1071

HUSQVARNA ITALIA SPA



HUSQVARNA ITALIA SPA

Item	PN	Description	Qty	Item	PN	Description	Qty
1	544 44 77-03	wheel cover Ø210	2	80	531 20 49-22	washer	2
2	504 85 78-01	nut M8, self locking, flanged	2	81	531 20 49-21	screw M8x25	2
3	504 87 94-01	wheel assy Ø210	2	83	531 20 70-89	screw M8x50	2
4	504 54 82-01	ball bearing	2	85	531 20 70-90	washer	2
7	504 82 73-01	dust shield Ø210	2	86	531 20 49-23	knob	2
8	531 21 08-17	spring, wheel regulator lever	1	87	531 20 79-82	nut M8	2
9	531 20 84-92	nut M5, self locking	2	91	525 46 35-01	starter cable guide	1
10	531 20 79-86	handle, wheel regulator	1	92	531 20 56-16	clutch lever	1
11	525 34 84-02	wheel regulator lever	1	94	531 20 56-18	brake lever	1
12	538 23 58-07	screw M5x45	1	95	531 21 27-28	upper handle	1
13	504 84 76-01	rear axle	1	96	531 20 52-15	spring, clutch	1
14	531 20 66-53	cotter pin	1	97	544 90 80-01	clutch cable	1
15	531 20 87-72	seeger	2	98	531 20 55-81	binder	2
16	544 34 23-01	gear	2	99	531 20 57-11	lower handle	1
17	531 20 87-78	ball bearing	2	100	531 21 35-17	screw M6x80	1
21	544 44 78-03	wheel cover Ø190	1	101	574 36 14-03	throttle lever and cable	1
22	504 85 78-01	nut M8, self locking, flanged	2	102	531 21 35-22	brake cable	1
23	504 87 95-01	wheel assy Ø190	2	103	531 21 26-89	cable support	1
24	504 54 82-01	ball bearing	2	104	531 20 71-65	nut M6	1
27	504 85 66-01	front axle	1	150	531 20 73-85	screw, M5x12	4
28	531 20 66-53	cotter pin	1	151	531 20 66-52	rear axle holder	2
30	531 20 66-49	screw, 3/8"	1	155	531 20 78-56	screw	4
31	531 20 72-37	spring washer	1	156	531 20 55-36	front axle holder	2
32	531 21 36-95	mulching blade	1	157	531 20 49-06	washer	1
34	531 20 78-48	blade support	1	163	531 21 38-37	deck	1
35	505 29 09-01	key	1	164	531 21 38-45	screw 3/8 + split washer	3
40	531 20 57-32	bushing	2	165	531 20 58-48	snap on connector 1/2"	1
41	544 37 62-02	gear box	1	167	531 20 65-25	safety flap bar	1
42	503 21 75-20	screw 5x20	4	168	531 20 65-31	spring	1
43	504 04 85-01	belt guide	1	169	531 20 76-57	star washer	2
44	504 88 71-01	bracket	2	170	510 41 73-01	cable housing	1
45	544 93 47-01	gear box spring	1	171	531 20 79-82	nut M8	4
46	504 54 79-01	pulley plate	2	172	531 20 79-81	washer	4
47	504 54 80-01	nut	2	173	531 20 65-36	handle support, right	1
48	531 20 67-01	belt Z32 10x815	1	174	531 20 57-41	screw M8x16	4
49	538 22 75-63	screw M5x16	1	176	531 20 65-38	handle support, left	1
50	531 20 84-91	nut M5	1	180	531 20 57-34	deflector	1
51	531 20 83-80	sack frame	1	181	531 20 78-56	screw	3
52	531 20 83-82	sack	1	182	531 20 78-38	screw M5x16	1
54	531 20 58-31	spring, mulching plug	1	183	531 20 66-66	washer	2
55	531 21 06-18	mulching plug	1	184	531 20 84-92	nut M5, self locking	1
58	531 21 05-34	safety flap	1	188	544 46 86-01	belt guide	1
70	531 20 57-15	wheel regulation spring	1	190	531 20 78-56	screw	2
71	531 20 65-24	wheel regulation bar	1	191	531 21 32-25	belt cover	1
72	531 21 15-97	spring sheathing	1	192	531 20 63-08	cover	1
75	—	engine, Briggs & Stratton	1	196	531 20 65-20	cover	1
76	531 21 40-00	engine cover	1	197	531 20 78-56	screw	3
77	531 21 39-34	engine cover screw	2				
78	531 20 79-82	nut M8	2				
79	531 20 49-23	knob	2				