

ILLUSTRATED PARTS BREAKDOWN

PARTNER

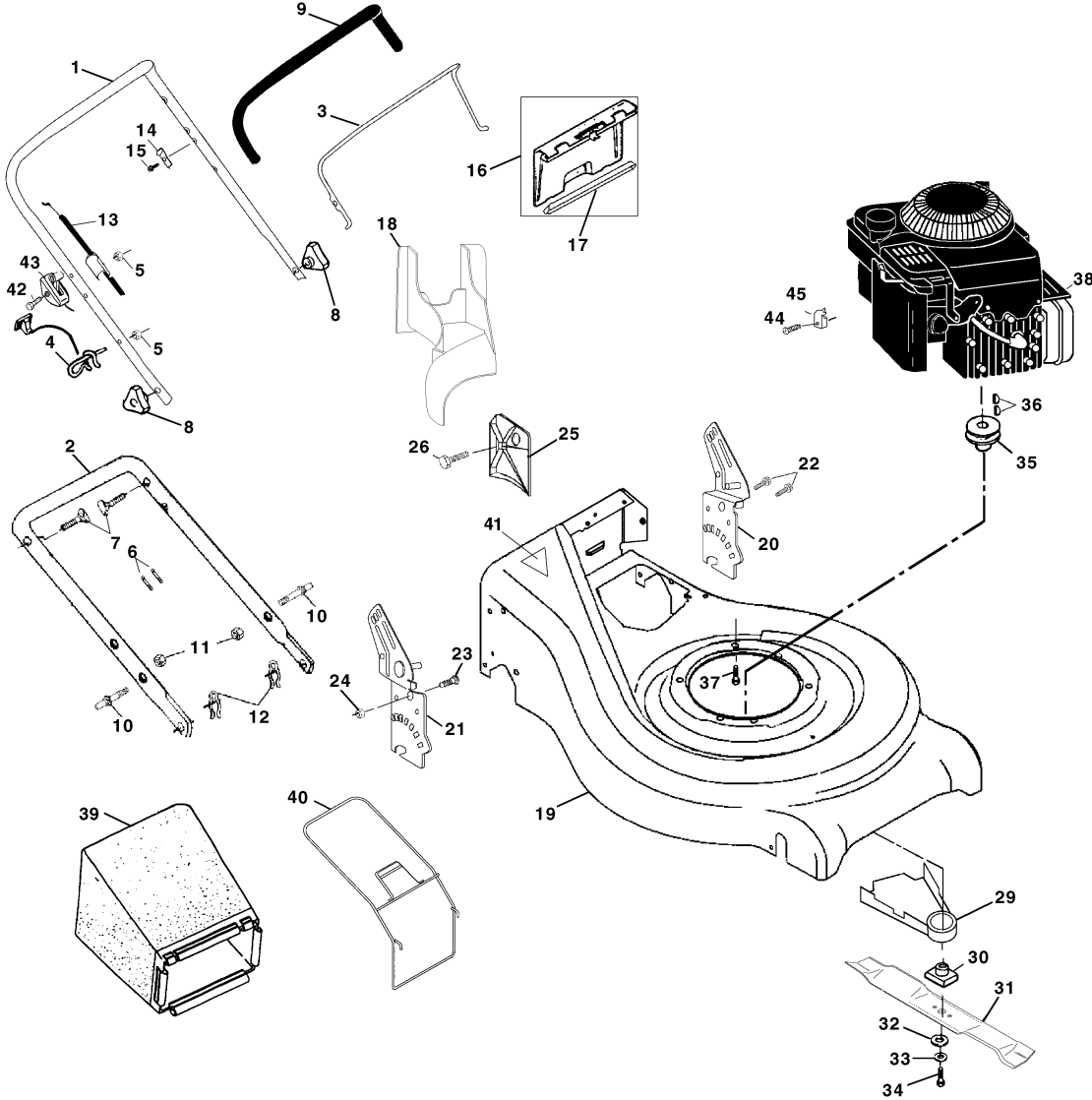
21" ROTARY LAWN MOWER

MODEL NO. P531PD (P531PDB)

954 12 00-17

REPAIR PARTS

ROTARY LAWN MOWER - - MODEL NO. P531PD (P531PDB) 954 12 00-17



REPAIR PARTS

ROTARY LAWN MOWER - - MODEL NO. P531PD (P531PDB) 954 12 00-17

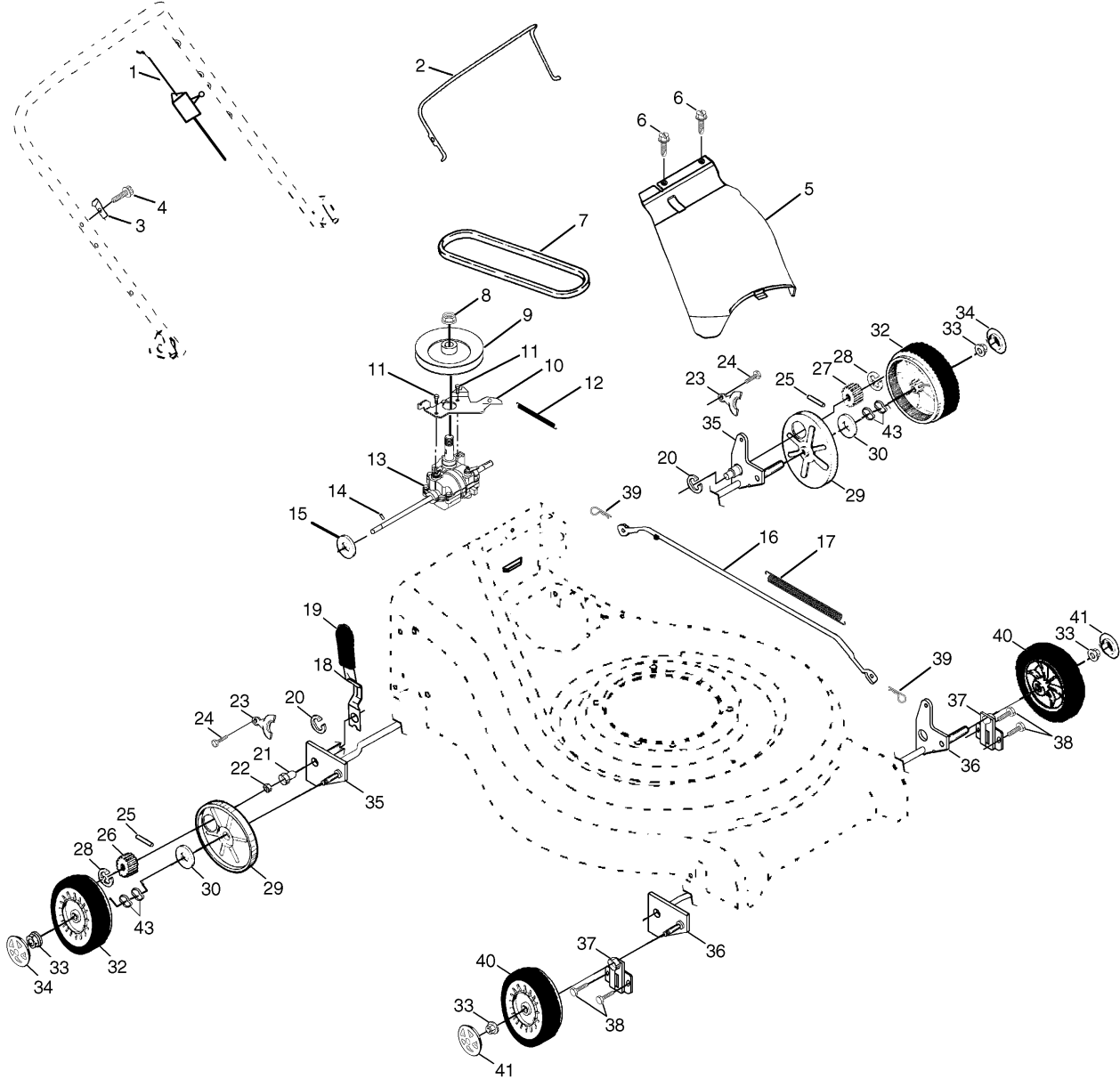
KEY NO.	PART NO.	DESCRIPTION	KEY NO.	PART NO.	DESCRIPTION
1	532165542	Handle, Upper Dlx Comf.	25	532161333	Baffle, Side
2	532164556	Handle, Lower	26	532163409	Screw 12 x 5/8
3	532131036	Bail, Cont. Wire Dlx Comf. Blk	29	532134612	Shield, Debris Modified
4	532132001	Guide, Rope, Side	30	532851514	Adapter, Blade w/key Longer
5	532063601	Nut, Hex Lockwasher 1/4-20	31	532159267	Blade, 21"
6	532066426	Wire, Tie	32	532851074	Washer, Hardened
7	532131959	Bolt, Handle 5/16-18 x 1.75	33	532850263	Lockwasher, Helical Spring 3/8
8	532087692	Knob, Handle	34	532851084	Screw, Hex Head 3/8-24 x 1.38
9	532164265	Grip, Hdl Foam Smooth	35	532084596	Pulley, Engine
10	532161551	Bolt, Sq. Neck	36	532087677	Key, Hi Pro
11	873990500	Nut, Hex Lockwasher Ins. 5/16-18 UNC	37	532150406	Bolt, Engine
12	532051793	Cotter, Hairpin	38	-----	* Engine Briggs & Stratton 12H802
13	532133107	Cable			Order parts from engine manufacturer
14	532125162	Bracket, Upstop	39	532165846	Grass Catcher Bag
15	532083816	Screw, Hex Washer Head Tapping 10-2	40	532161358	Grass Catcher Frame
16	532162085	Kit, Door Rear	41	532145494	Danger Decal
17	532161548	Seal, Door	42	532144929	Screw
18	532165261	Plug, Mulcher	43	532164137	Throttle Control
19	532164388	Kit, Housing	44	532111190	* Clamp
20	532164548	Handle, Bracket	45	532083816	Screw
21	532164549	Handle, Bracket Asm. Right	--	532164652	Operator's Manual(Euro)
22	532150078	Screw, Hex Wshd	--	532164380	Operator's Manual(Scand)
23	532163183	Bolt, Hex Head 5/16-18 x 5/8			
24	532063124	Nut, Hex Lock Wshr 5/16-18			

3

* These parts must be purchased through an authorized Briggs & Stratton dealer.

REPAIR PARTS

ROTARY LAWN MOWER - - MODEL NO. P531PD (P531PDB) 954 12 00-17



REPAIR PARTS

ROTARY LAWN MOWER - - MODEL NO. P531PD (P531PDB) 954 12 00-17

KEY NO.	PART NO.	DESCRIPTION
1	532161587	Cable Drive
2	532161473	Bail Control Drive
3	532164557	Bracket, Downstop
4	532083816	Screw Hex Wash Head Tapping 10-2
5	532161537	Cover Drive
6	532750634	Screw Thdrol 10-25 x .50
7	532160816	V-Belt
8	532132010	Nut Lock Flanged 3/8-16 Zinc
9	532163939	Pulley Driven
10	532164553	Belt Keeper
11	817541011	Screw Hex Wash Head 10-24 X .668
12	53275192	Spring
13	532161581	Transmission Asm.
14	532145354	Pin Spring Thrust
15	532057079	Washer Hardened
16	532164551	Rod Connecting
17	532161602	Spring Extension
18	532164554	Spring Selector
19	532161961	Knob Selector Spring
20	812000022	E-Ring 7/8

KEY NO.	PART NO.	DESCRIPTION
21	532163365	Bearing Support
22	532088060	Bearing Ball
23	532164555	Retainer Drive Asm. Stmp.
24	532057808	Screw Hex Head Tapping 1/4-20 x .75
25	532164795	Drive Pawl
26	532165096	Pinion, Drive RH
27	532165097	Pinion, Drive LH
28	812000058	E-Ring 7/16
29	532088080	Cover, Dust Wheel
30	532067725	Washer 1/2 x 1-1/2 x .134
32	532162063	Wheel 9 x 2
33	532083923	Nut Hex Flange Lock
34	532150181	Hubcap
35	532164552	Shaft Asm. Rear
36	532164550	Shaft Asm. Front
37	532161463	Retainer Front Shaft
38	532163409	Screw 12 x 5/8
39	532700279	Clip Retainer
40	532157178	Wheel 8 x 2
41	532150182	Hubcap
43	532057143	Wave Washer