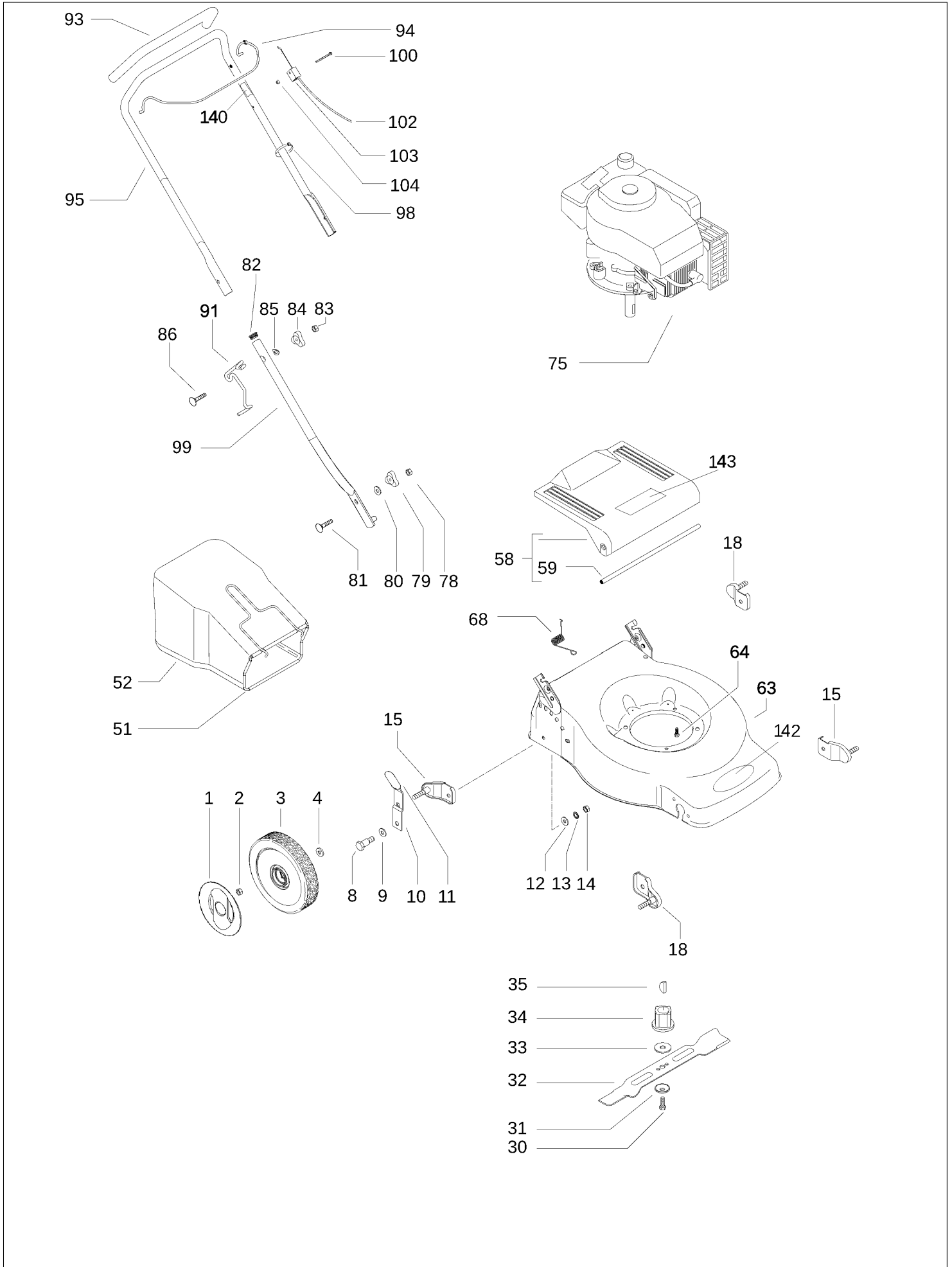


<b>PNC</b>	<b>ML</b>	<b>Model</b>	<b>Brand</b>
966533201 966533301	00	400 CV	Hanseatic

**Number of Pages 1 of 3**

<p><b>Factory:</b> IIQ - Valmadrera</p>	<p><b>Product Group:</b> OP 93</p>
<p><b>Publication Number:</b> EIPL2010_V070000025</p>	<p><b>Petrol Portable</b></p>
<p><b>Publication Date:</b> 18/02/10</p>	<p><b>Sub Group</b> 1071</p>

HUSQVARNA OUTDOOR PRODUCTS ITALIA SPA



## HUSQVARNA OUTDOOR PRODUCTS ITALIA SPA

Item	PN	Description	Qty	Item	PN	Description	Qty
1	504 54 15-02	wheel cover Ø170	4	103	531 21 26-89	cable support	1
2	504 85 78-01	nut	4	104	531 20 52-13	nut	1
3	505 43 56-01	wheel Ø170	4	140	576 28 32-01	label, brake handle	1
4	505 22 74-01	washer	4	142	531 20 98-81	label, hanseatic	1
8	531 20 49-12	screw M10x26.4	4	143	531 20 98-16	label, safety flap	1
9	531 20 66-43	washer	4				
10	531 21 24-57	wheel regulator lever	4				
11	531 20 79-86	sheating	4				
12	531 20 79-89	washer	4				
13	531 20 89-74	washer	4				
14	531 20 79-78	nut M10x26.4	4				
15	504 85 16-01	wheel's support	2				
18	504 85 15-01	wheel's support	2				
30	531 20 80-08	screw, 3/8"	1				
31	531 20 72-37	spring washer	1				
32	531 21 16-53	blade	1				
33	531 20 72-43	washer	1				
34	531 20 72-42	blade support	1				
35	505 29 09-01	key	1				
51	531 21 34-67	sack frame	1				
52	531 21 14-37	sack	1				
58	531 20 46-32	safety flap + bar	1				
59	531 20 50-60	bar, safety flap	1				
63	521 89 96-42	deck	1				
64	531 21 28-51	screw 3/8" + split washer	3				
68	531 20 59-99	spring	1				
75	———	engine, Briggs & Stratton, model number 09T5022229	1				
78	531 20 79-82	nut M8	2				
79	531 20 49-23	knob	2				
80	531 20 49-22	washer	2				
81	531 20 49-21	screw M8x25	2				
82	531 20 89-50	cap	2				
83	531 20 79-82	nut M8	2				
84	531 20 49-23	knob	2				
85	531 20 70-90	washer	2				
86	531 20 70-89	screw M8x50	2				
91	504 70 86-01	starter cable guide	1				
93	531 20 59-89	handle sheat	1				
94	504 70 83-01	brake lever	1				
95	504 70 80-01	handle, upper half	1				
98	531 20 55-81	binder	2				
99	531 20 60-71	handle, lower half	2				
100	531 20 63-46	screw M5x40	1				
102	531 21 35-22	brake cable	1				