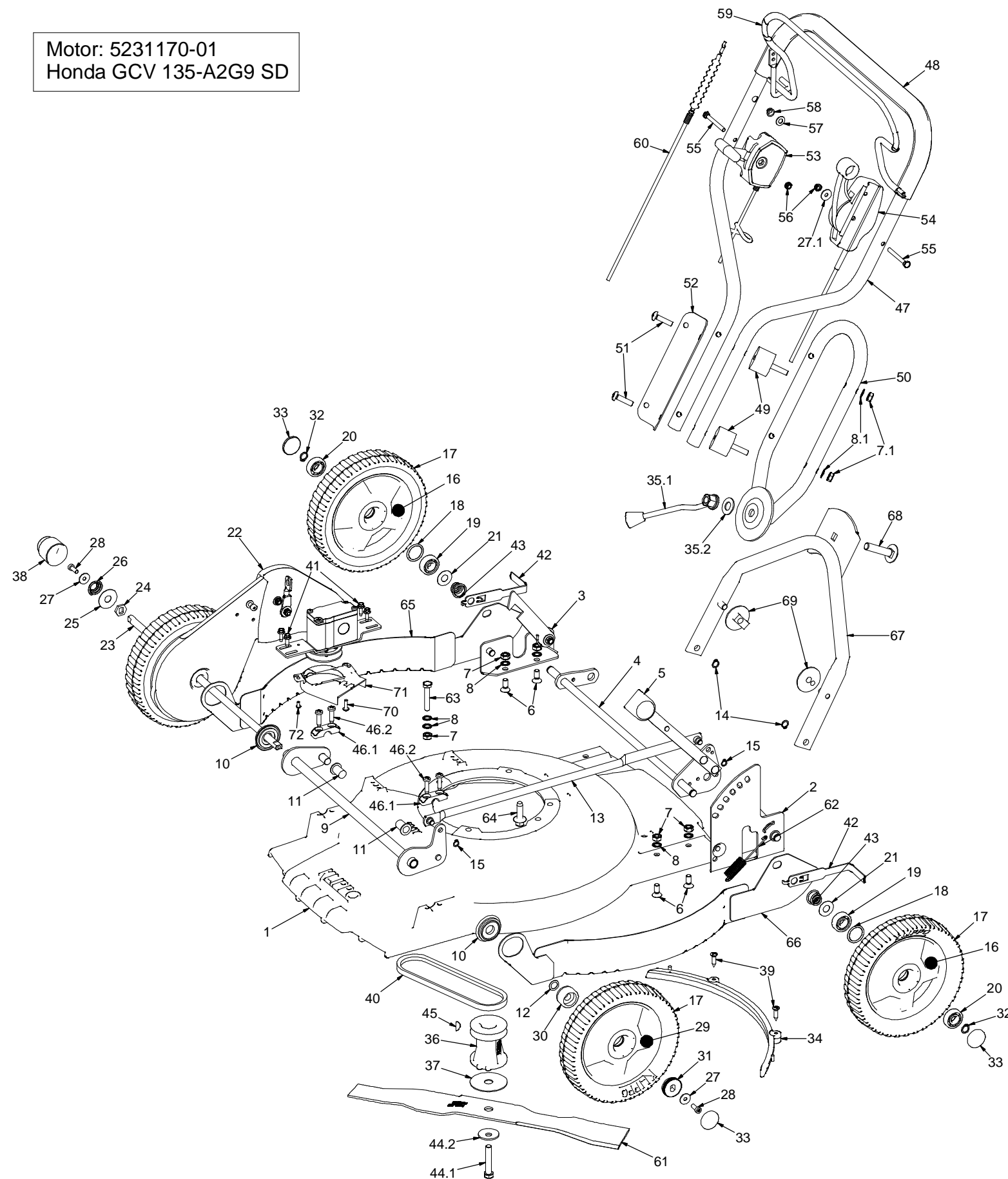




965 864 301 – Pro 19 S GCV – 2009

Motor: 5231170-01
Honda GCV 135-A2G9 SD



Pos	Art.number	Art.nr Klippo	Description	Pos	Art.number	Art.nr Klippo	Description
1	5054387-01	0122	COVER 48, RED	61	5029780-01	6017	MULCHER BLADE 48
2	5032490-01	0207	HANDLE HOLDER LEFT, RED	62	5032576-01	0264	TENSION SPRING
3	5032658-01	0507	CORNER RIGHT, RED	63	5044662-01	7603	SCREW M6S M8X45 FZ
4	5032580-01	0272	REAR SHAFT	64	5028829-01	70701	SCREW DG-93x30Z FZ
5	5044647-01	7418	KNOB, BLACK	65	5032646-01	0423	SIDE PROTECTION, RIGHT
6	5044570-01	7029	SCREW MFS M8X18 FZ	66	5032644-01	0422	SIDE PROTECTION, LEFT
7	5044572-01	7032	NUT M6M M8 FZ	67	5032838-01	1129	HANDLE LOWER
8	5044580-01	7039	LOCK WASHER 8.4 FZ	68	5044566-01	7025	WAGON BOLT M12x55
9	5032692-01	0711	TUBULAR SHAFT 53	69	5044645-01	7415	ADJUSTING WHEEL, RED
10	5044636-01	7405	TUBULAR SHAFT BUSHING	70	5226357-01	N/A	SCREW MRT M5X16 FZ
11	5028981-01	7411	CASING, RED	71	5225463-01	N/A	BELT GUARD
12	5044598-01	7068	WASHER 18x12x0.3 FZ	72	5226356-01	N/A	SCREW MRT-TT M4X8 FZ
13	5032495-01	0228	HEIGHT ADJUST BAR 48, RED				
14	5044582-01	7041	CLAMP RING SGA 10X1				
15	5044581-01	7040	CLAMP RING SGA 8X0.8				
16	5032754-01	1018	FREE WHEEL, RED				
17	5029451-01	1072	TYRE 43				
18	5044618-01	7092	SPACER				
19	5032429-01	70091	BALL BEARING Ø12/32x10				
20	5028827-01	70081	BALL BEARING Ø12/32x9				
21	5044576-01	7036	WASHER 27x12,2x0.5 FZ				
22	5033299-01	1946	GEAR BOX, BLACK				
23	5032718-01	0739	DRIVE SHAFT 48				
24	5044613-01	7086	DRIVER				
25	5044609-01	70812	WASHER 34,3x12,1x0,7				
26	5033323-01	2209	COMPRESSION SPRING				
27	5044599-01	7069	WASHER 19x6x1.5 FZ				
28	5044567-01	7026	SCREW M6x16 ESLOCK				
29	5032755-01	1019	DRIVING WHEEL, RED				
30	5032764-01	1062	BUSHING, NYLON				
31	5032762-01	1061	BUSHING, STEEL				
32	5044583-01	7042	CLAMP RING SGA 12X1.5				
33	5032751-01	1010	HUB CAP				
34	5032430-01	7437	MULCHER WALL 48				
35	5032982-01	1300	BALL HANDLE WITH WASHER				
36	5032592-01	0312	BLADE BRACKET				
37	5032594-01	0323	FIBRE WASHER				
38	5044651-01	7421	CENTER LID				
39	5044565-01	7024	SCREW KFTS 6.3X25 FZ				
40	5254800-01	N/A	V-BELT				
41	5044676-01	7627	SCREW M6SF-TT M5X16 FZ				
42	5032773-01	1087	WHEEL CLEANER				
43	5033330-01	2220	COMPRESSION SPRING				
44	5032727-01	0908	SCREW AND CUP SPRING				
45	5044605-01	7075	WOODRUF WEDGE				
46	5032719-01	0902	FRONT SHAFT HOLDER, RED				
47	5029064-01	13452	HANDLE UPPER, YELLOW				
48	5230528-01	N/A	HANDLE GRIP, BLACK				
49	5033125-01	1354	VIBRATION ABSORBER				
50	5029035-01	12413	UNDER PART				
51	5044615-01	7089	SCREW M8X30 ESLOCK				
52	5033117-01	1346	PLATE FOR HANDLE				
53	5033130-01	1359	THROTTLE CONTROL				
54	5033098-01	1327	DRIVE CONTROL				
55	5028823-01	70021	SCREW M6S M6x55 FZ				
56	5044561-01	7018	LOCK NUT M6 NYLOCK FZ				
57	5044592-01	7058	WASHER NB 16X8X1,5 FZ				
58	5033209-01	1554	LOOP BUSHING				
59	5033111-01	1339	CONTROL BAR, RED				
60	5033112-01	1340	BRAKE WIRE				

REMARKS:

POS 4: INCLUDE POS 5.

POS 16: INCLUDES POS 17, 18, 19 AND 20.

POS 23: INCLUDES POS 24, 25, 26, 27 AND 28.

POS 29: INCLUDES POS 17, 30 AND 31.

POS 47: INCLUDE POS 48.

POS 61: INCLUDE POS 37.

POS 67: INCLUDE POS 68.

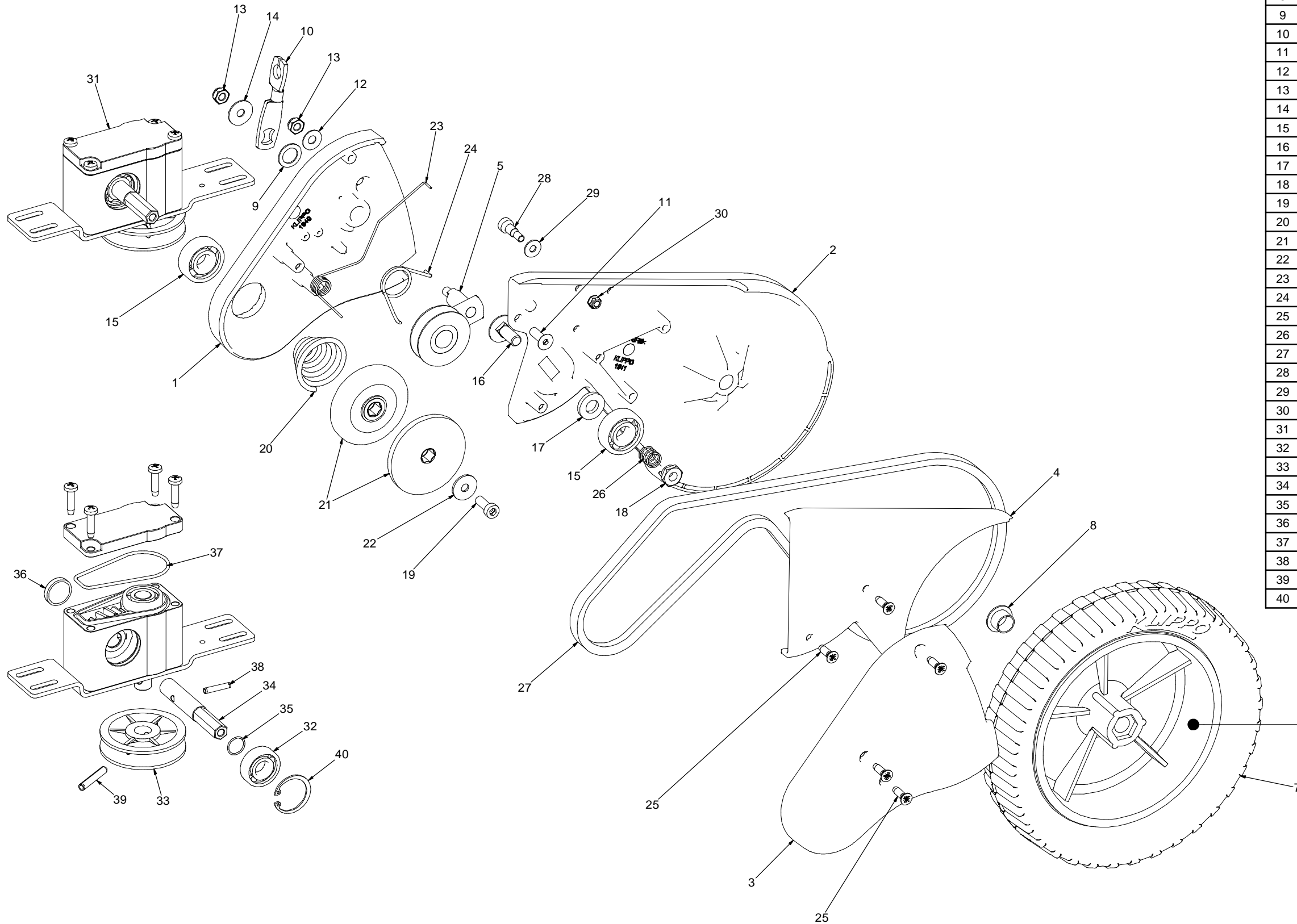
KIT:

5032722-01 (0903) ACCESSORIES FOR WHEEL:
CONSIST OF POS 21, 32, 33 AND 43 (4 OF EACH).

5033162-01 (1400) HANDLE UPPER COMPL
CONSIST OF POS 7.1, 8.1, 27.1, 47, 48, 49, 50, 51,
52, 53, 54, 55, 56, 57, 58, 59 AND 60.



965 864 301 – Pro 19 S GCV – 2009



Pos	Art.number	Art.nr Klippo	Description
1	5028799-01	1940	HOUSING BACK
2	5028800-01	1941	HOUSING FRONT
3	5028801-01	1942	HOUSING COVER BACK
4	5028802-01	1943	HOUSING COVER FRONT
5	5033232-01	1735	CLUTCH LEVER COMPL
6	5033174-01	1426	DRIVING WHEEL AL, RED
7	5029451-01	1072	TYRE 43
8	5032771-01	1085	BUSHING
9	5044608-01	7079	WASHER PS 18x12x1 FZ
10	5033227-01	1729	OPERATING ARM
11	5044604-01	7074	SCREW MF6S M6x18 FZ
12	5033240-01	1769	CUP SPRING
13	5044561-01	7018	LOCK NUT M6 NYLOCK FZ
14	5044661-01	7602	WASHER 19x6x1
15	5032429-01	70091	BALL BEARING Ø12/32x10
16	5044601-01	7071	WAGON BOLT M8x20 FZ
17	5044606-01	7077	WASHER 20x10x3 FZ
18	5033176-01	1432	COLLAR NUT
19	5044567-01	7026	SCREW M6x16 ESLOCK
20	5033234-01	1755	COMPRESSION SPRING
21	5033295-01	1936	VARIATOR DISC
22	5044599-01	7069	WASHER 19x6x1.5 FZ
23	5028803-01	1944	CONTROL SPRING RIGHT
24	5033266-01	1865	MOMENT SPRING
25	5044600-01	7070	SCREW MFT-TT M5x16 FZ
26	5033187-01	1455	COMPRESSION SPRING
27	5254799-01	N/A	V-BELT
28	5044619-01	7093	COLLAR SCREW
29	5044560-01	7017	WASHER NB 13x5x1 FZ
30	5044603-01	7073	LOCK NUT M5 NYLOCK FZ
31	5033281-01	1912	WORM GEAR
32	5051501-01	1457	BALL BEARING Ø12/28x8
33	5033301-01	1952	PULLEY
34	5033302-01	1953	AUXIALRY SHAFT
35	5033303-01	1954	O-RING
36	5033304-01	1955	PLUG
37	5022205-01	1956	O-RING
38	5044554-01	7002	DOWEL PIN
39	5044555-01	7003	DOWEL PIN
40	5051502-01	7043	CIRCLIP SgH 27